

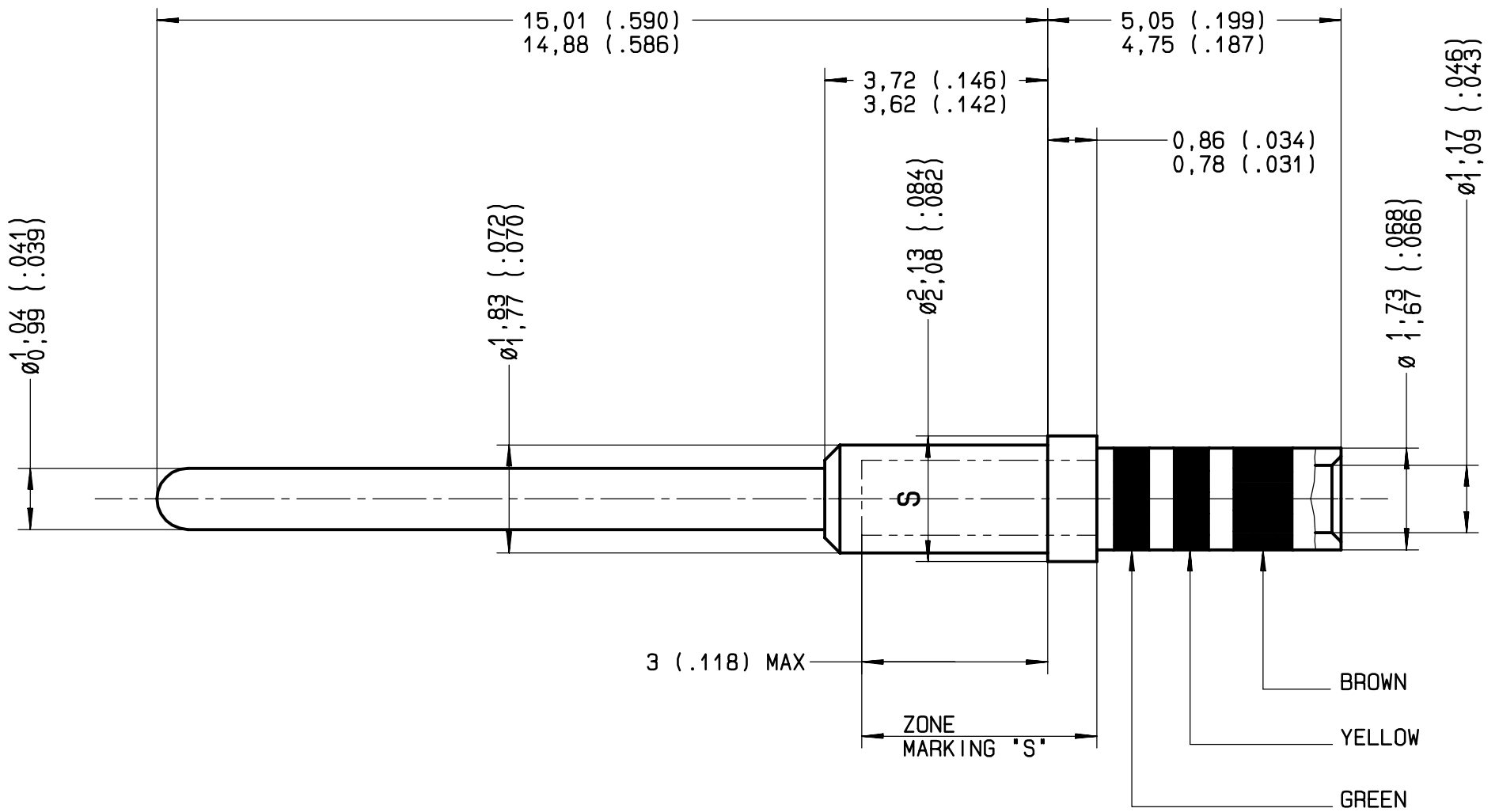


Series  
DSX

SIZE 20HD PIN CONTACT  
SIZE 20 CRIMP - REMOVABLE  
MIL P/N : M39029/11 145

Issue:  
JANUARY 23 2002

Page  
1 / 1



WIRES ACCOMODATED : AWG 20 - 22 AND 24  
INSULATION DIAMETER : 1,80mm (.071) MAX  
STRIP LENGTH : 4mm (.158)

TOOLING

CRIMPING TOOL : M 22520/2-01 (RADIALL 282281)  
SELECTOR POSITION : 7 FOR AWG20  
6 FOR AWG22  
5 FOR AWG24

POSITIONER : M 22520/2-08 (RADIALL 282971)

MATERIAL AND FINISHES

BODY CONTACT : NICKEL COPPER HEAT TREATED HARDNESS < 200 HV  
BARREL ANNEALED HARDNESS 60\_80 HV

PLATING : NICKEL .00005 INCH THICK PER QQ\_N\_290  
GOLD .00005 INCH THICK PER MIL\_G\_45204 TYPE I OR II GRADE C OR D

INSERTION/EXTRACTION TOOL : RADIALL 282886 (M81969/1-02)

This information is given as an indication. In the continual goal to improve our products, we reserve the right to make any modifications judged necessary.

4112-9610

CREATION	.	.	.	.
PEN: /	.	.	.	.
NOM: FALETI	.	.	.	.
DATE: 22/3/85	JAN 23 02	ADD ZONE MARKING 'S'	COUTHON	GOMBERT
APPR.: .	11/12/00	DRAWING C A 0	GOMBERT	VALGRESY
	Issue	Revisions	Name	Approved